

KID LOCKER ASSEMBLY INSTRUCTIONS

General Instructions

1. Check material received against the packing list. Check the number of packages received and then check the contents of each package.
2. Check the material received for damage. If damage has occurred, secure a “damage notation” from the carrier
3. Identify each part as it is unpacked and put like parts together as close as possible to the working area where they are to be assembled.
4. Be careful to use the correct hardware as specified in the assembly instructions.

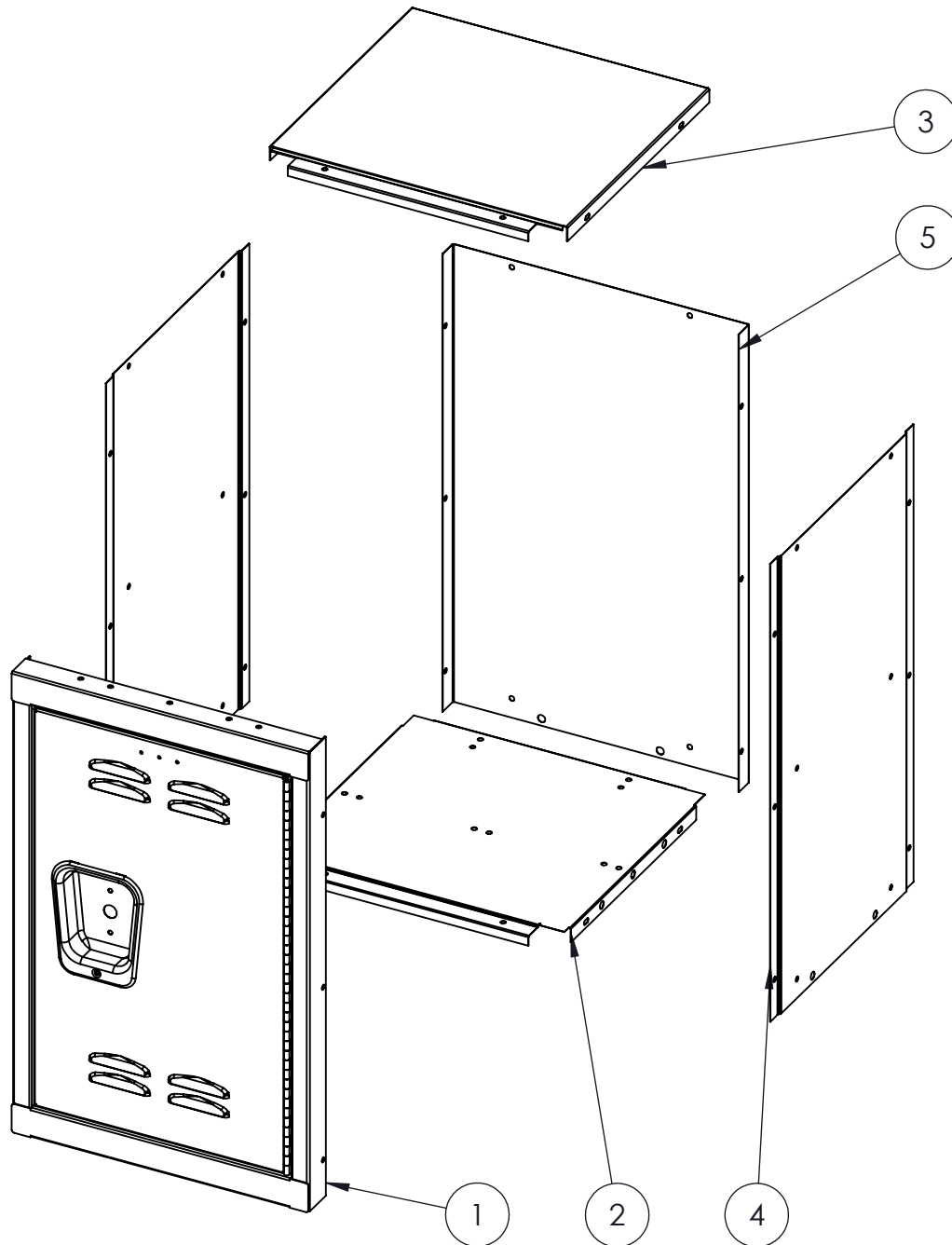
CAUTION

In the interest of safety, all lockers must be securely anchored to the floor and/or wall. For safety, handle all components carefully and wear work gloves when assembling lockers. Install all units plumb and tighten all hardware securely. Retain instructions for future reference.



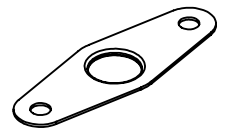
800-776-1342
info@ListIndustries.com
www.ListIndustries.com

KIDS LOCKER ASSEMBLY INSTRUCTIONS - HKL1515(24)-1



PACKAGE CONTENTS

ITEM NO.	PART NUMBER	DESCRIPTION	QTY.
1	KDHF1524-1LV	DOOR-FRAME	1
2	KS1515	BOTTOM	1
3	HTLC1515	HOME TEAM LOCKER CAP	1
4	KP1524	SIDE PANEL	2
5	KR1524	BACK	1
6	MBT200	3/8" SLOTLESS BOLT	30
7	N201	HEX NUT	28
8	N110	DOME HEX NUT	2
9	RPE100	ESCUTCHEON PLATE	1



6

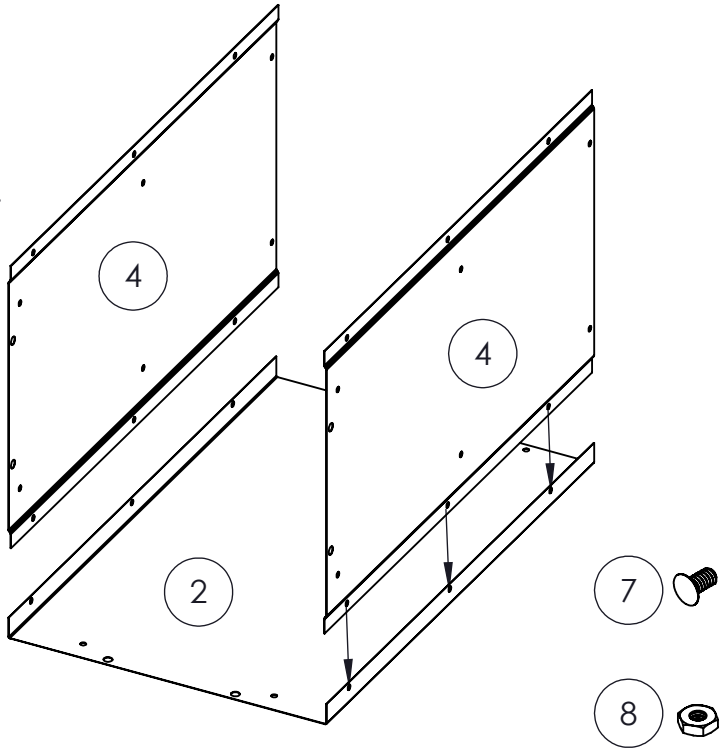
7

8

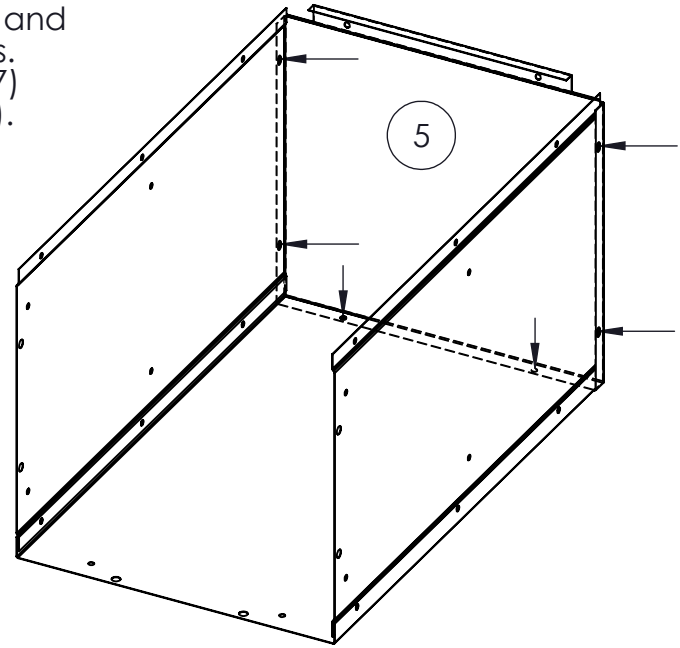
9

NOTE: FINGER TIGHTEN ALL NUTS, ENSURE UNIT IS SQUARE, THEN TIGHTEN ALL.

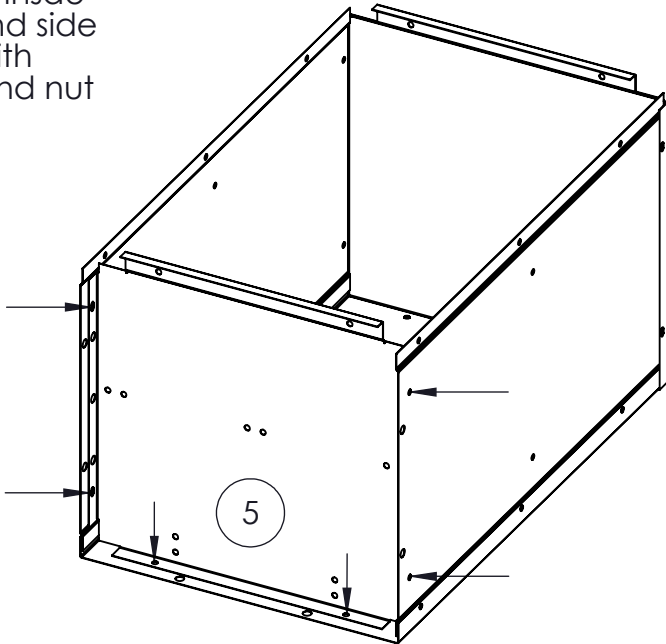
1) Bolt Side panels (4) to the inside of the rear panel (2). With bolt (7) and nut (8).



2) Bolt Top (3) to the outside of the side and rear panels. With bolt (7) and nut (8).



3) Bolt Bottom (5) to the inside of rear and side panels. With bolt (7) and nut (8).



5) Place the Frame (1) on the locker and bolt it on to top, side, bottom and top. With bolt (7) and nut (8).

