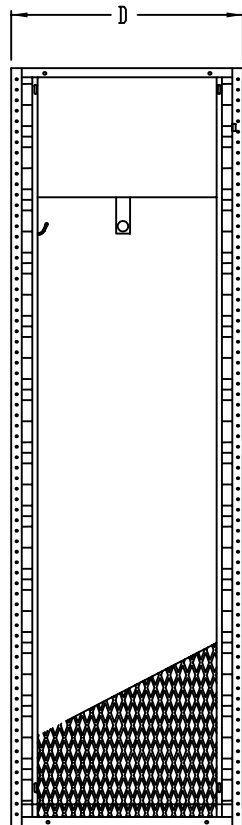
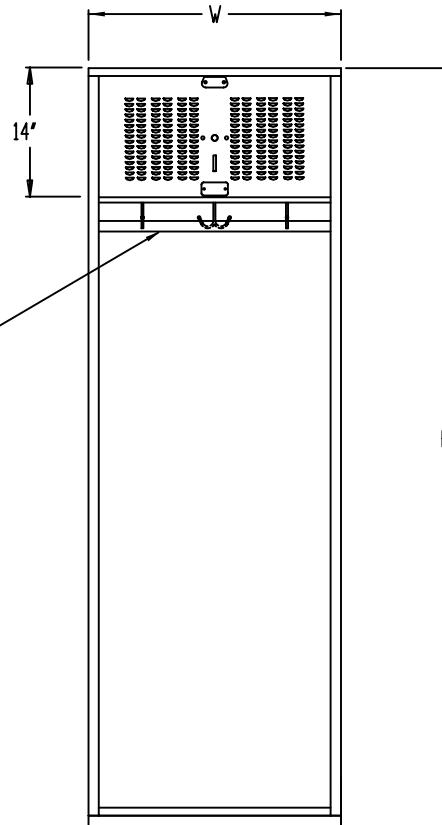


SUPERIOR "ALL-STAR MVP" WELDED ATHLETIC LOCKER (PRODUCT No. ASTN- _ _ _ _)
 ELEVATION ' ' /



SIDE VIEW



OPTIONAL
 COAT ROD
 (REPLACES DOUBLE
 PRONG CEILING HOOK)

FRONT VIEW

LOCKER DETAILS :

EXTERIOR COLOR =
 INTERIOR COLOR = SAME AS EXTERIOR
 TOP = FLAT
 LOCKS = DOOR PAD LOCK OR BUILT-IN
 DOOR VENTILATION = SECURITY-PLUS
 SIDE VENTILATION = 1/2" 13GA. FLT/EXP/MTL
 BASE =
 COAT ROD = 1" STAINLESS STEEL (OPTIONAL)
 DOOR HINGE = 3/16" DIAMETER CONTINUOUS
 HINGE ROD WITH CONCEALED
 FASTENER

CONTRACTOR NOTE
 ALL CONCRETE BASES SHOULD BE LEVEL AND TROWELED SMOOTH
 TO ASSURE PROPER INSTALLATION OF THE LOCKERS. ALL
 FLOORING MATERIAL ATTACHED TO THE FACE OF THE BASE
 SHOULD BE RECESSED AT LEAST 1/4" FROM THE TOP EDGE
 OF THE BASE. LOCKERS MUST BE ANCHORED TO WALL.

GAUGES

FULL SECURITY DOOR = 14 GA., C.R.S.
 SECURITY-PLUS VENTS
 BASE = 14 GA., C.R.S.
 TOP = 16 GA., C.R.S.
 SHELF = 16 GA., GALVANNEAL
 SIDES = 1/2" 13 GA. FLT/EXP/MTL, H.P.D.
 BACKS = 18 GA., C.R.S.

SUPERIOR

THIS DRAWING AND THE INFORMATION ON IT IS THE CONFIDENTIAL
 PROPERTY OF LIST INDUSTRIES, INC. AND SHALL NOT BE COPIED OR
 DISCLOSED TO OTHERS WITHOUT WRITTEN PERMISSION. ONLY LIST INDUSTRIES
 RESERVES THE RIGHT TO ALTER ANY DESIGN. ANY UNAUTHORIZED
 MODIFICATIONS RELEASES LIST INDUSTRIES FROM ALL LIABILITIES.

TOLERANCES UNLESS SPECIFIED:
 FRACTIONS: ±1/32 DECIMALS: ±.010 DEGREES: ±1°

Customer: CUSTOMER

Customer Order Number: PO#

Description:

JOB NAME
 JOB LOCATION

Drawn By:
 DRAFTER

Checked By:

Date:
 DATE

Scale:
 NONE

Acad Number: PAGE NUMBER

Sheet # Of # Revision:

Drawing Number:

FOLDER NUMBER